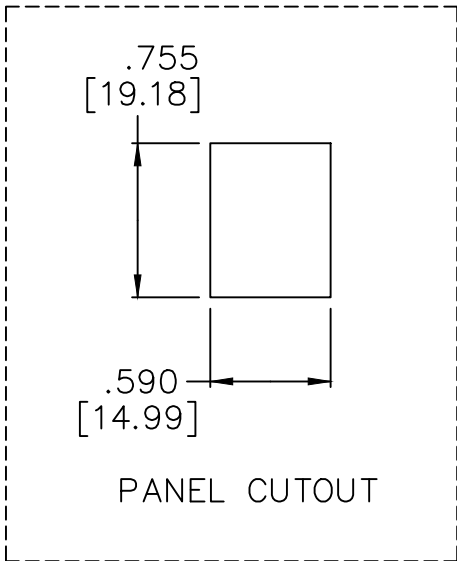
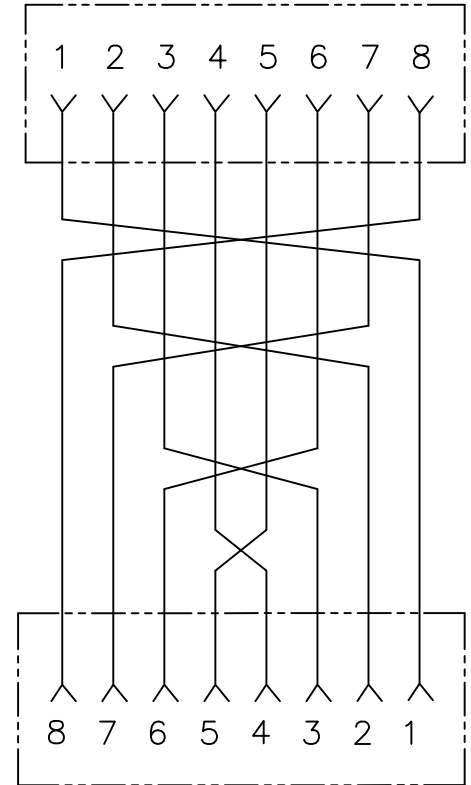
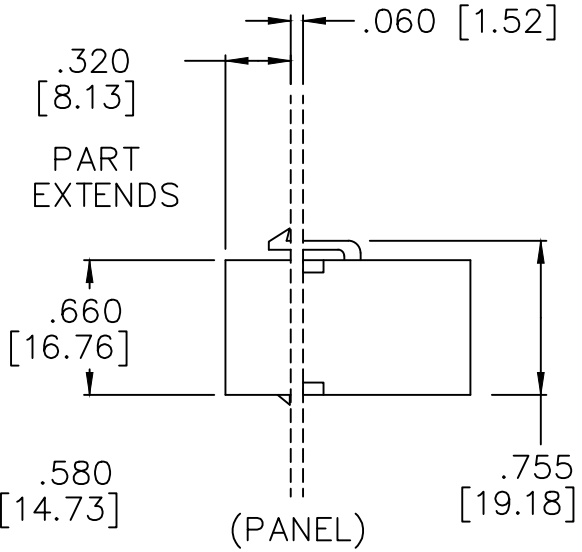


SUGGESTED MAX. PANEL THICKNESS



NOTES:

1. FOR USE WITH ATP FRAMES ATPNL-XX.
2. XX=COLORS: 00-BLACK, 15-WHITE.
3. WILL NOT FIT VERSATAP SURFACE MOUNTING BOXES OR ANGLED VERSATAP FACEPLATES.
4. INCHES [mm] DIMENSIONS ARE REFERENCE.



ALLEN TEL PRODUCTS, INC.
30 TV5 DRIVE, HENDERSON, NEVADA 89014

AT55C-XX
CAT 5e COUPLER

